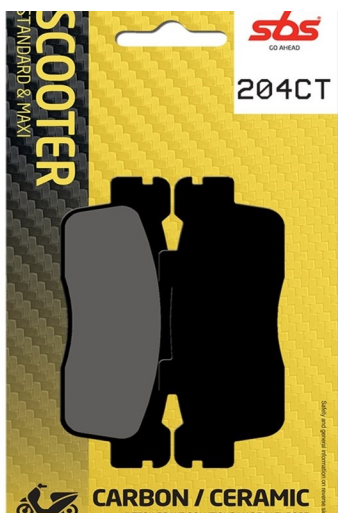
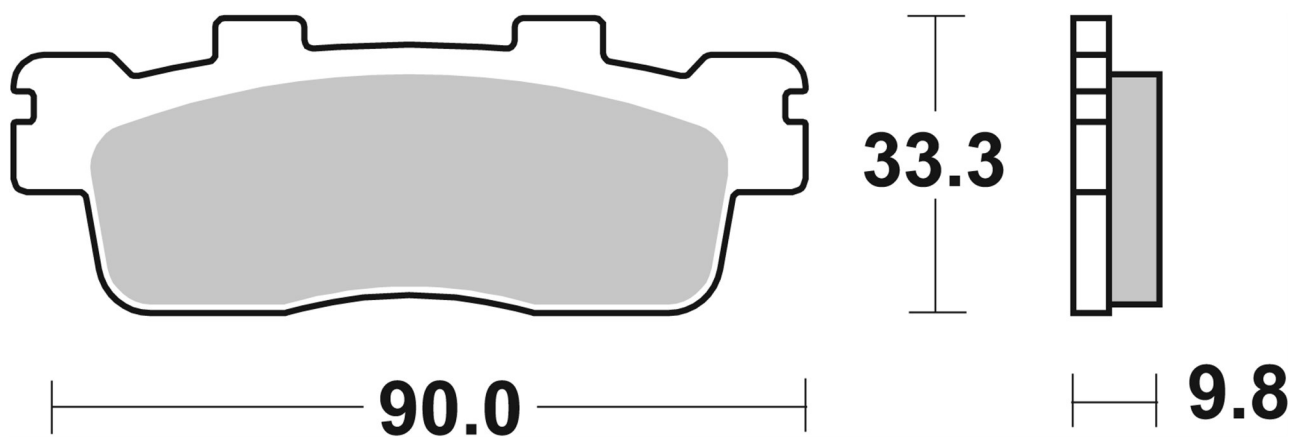


10. oktober 2018

## 204 CT



SBS ref. #	Available compounds
204 CT	CT • HF • MS



				RECOMMENDED	
KAWASAKI	J	125		2015 - 2018	204 CT 183 CT
KYMCO		125	Downtown i	2010 - 2014	204 CT 183 CT
KYMCO		125	New Downtown	2016 - 2017	204 CT 159 CT
KYMCO		125	People GTi	2012 - 2015	204 CT 159 CT
KYMCO		125	Super Dink	2010 - 2015	204 CT 183 CT
KYMCO		200	Downtown i	2010 - 2015	204 CT 183 CT
KYMCO		200	People GTi	2012 - 2015	204 CT 159 CT